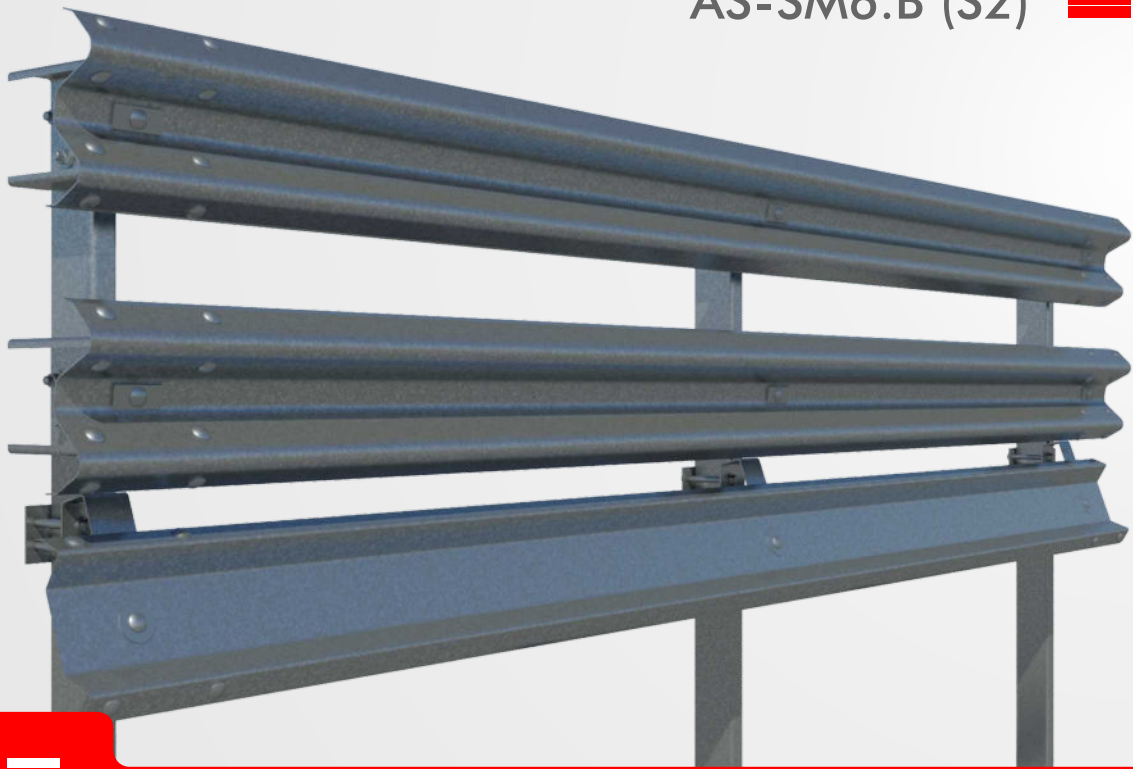


H1

W5

A

1,1_mSeverity
I
UNE 135900


Vehicle Restraint System

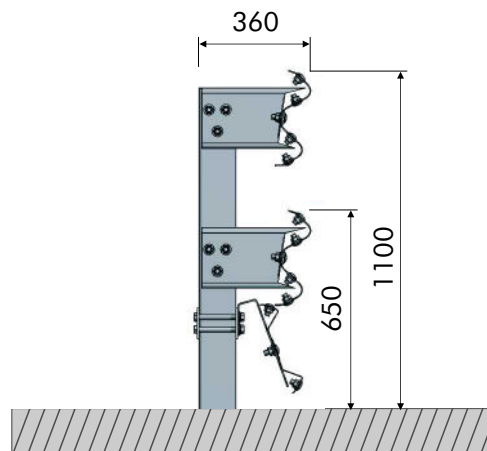
Definition

Superimposed single metal barrier for lateral side with motorcyclist protection system. System formed by two double wave barriers, spacer, protective beam for motorists and C posts 2 metres apart.

Performance parameters

Containment level	H1	Working width (W)	W5	Impact Severity	A	Dynamic Deflection (D)	1,1_m
Impact Severity level	I						

Profile





asebal 

Vehicle Restraint System

Components for sections of 4 m

Item	Part	Uds
1	Standard barrier of 4 m	2
2	C post-120 of 2,000 mm D.P.	2
3	Standard spacer	4
4	Protective beam for motorists, of 4 m	1
5	Anchorage	2
6	U support	2
7	Round head bolt M16x30, with nut	20
8	Round head bolt M16x40, with nut	6
9	Hexagon head cap bolt M16x35, with nut	12
10	Hexagon head cap bolt M16x150, with nut	4
11	Washer Ø17x35x4 mm	42
12	Washer Ø70 mounting hole 30x18 e. 2mm	2
13	Rectangular washer 100x40x5 mm	4
14	Reflector	1

Fasteners

