

One-piece posts for signs and signboards



CE



asebal

Road safety accessories

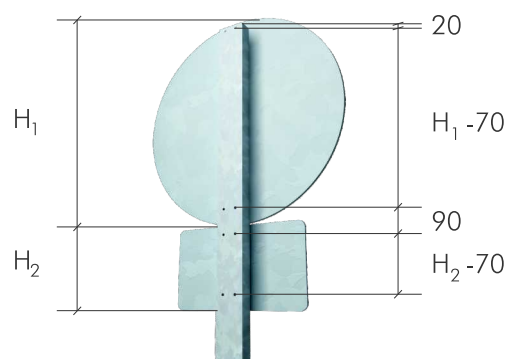
Definition

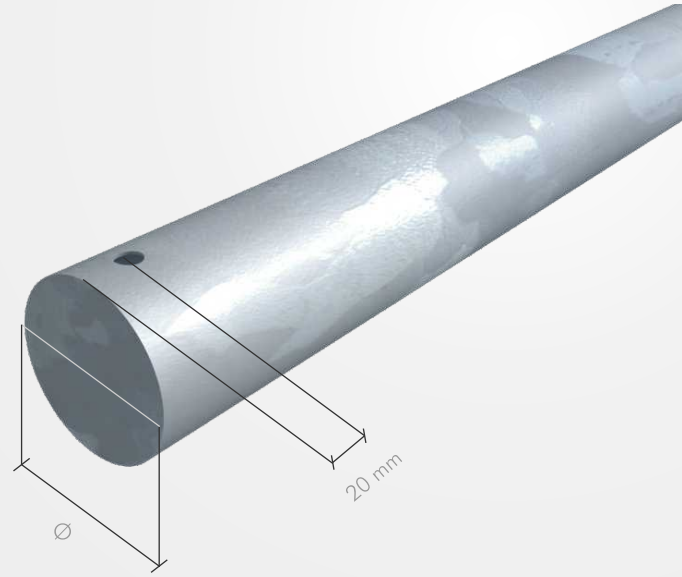
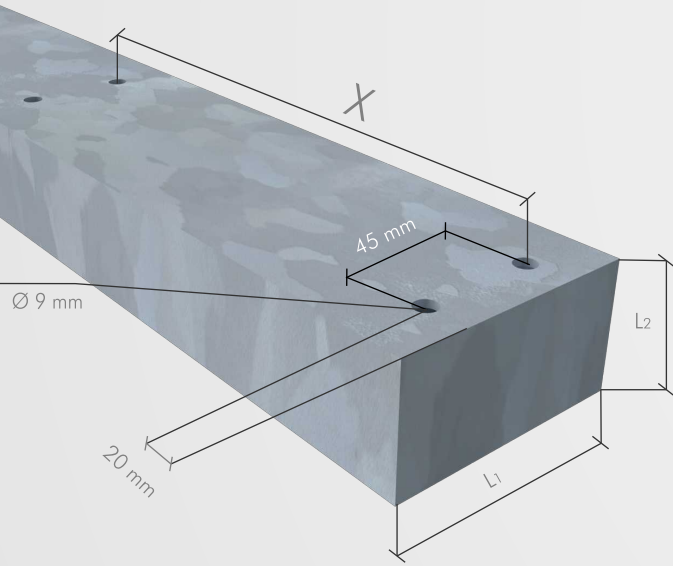
One-piece load-bearing elements for traffic signs and signboards.

Technical Characteristics

- Manufactured according to UNE-EN 12899-1 and UNE 135314
- Steel quality: minimum S235JR according to UNE-EN 10025-2
- Hot-dip galvanized according to UNE-EN 1461
- Steel lid welded in all its perimeter
- They must comply with the structural calculations specified in UNE-EN 12899-1

Definition scheme of drill holes





Different types of posts and galvanized coating

Dimensions	Nominal thickness	Minimum average galvanized coating	
		Thickness (μm)	Mass (gr/m^2)
80x40 mm	2 mm	55	395
100x50 mm	2 y 3 mm	55/70	395/505
120x60 mm	3 mm	70	505
Ø 60 mm	2 mm	55	395