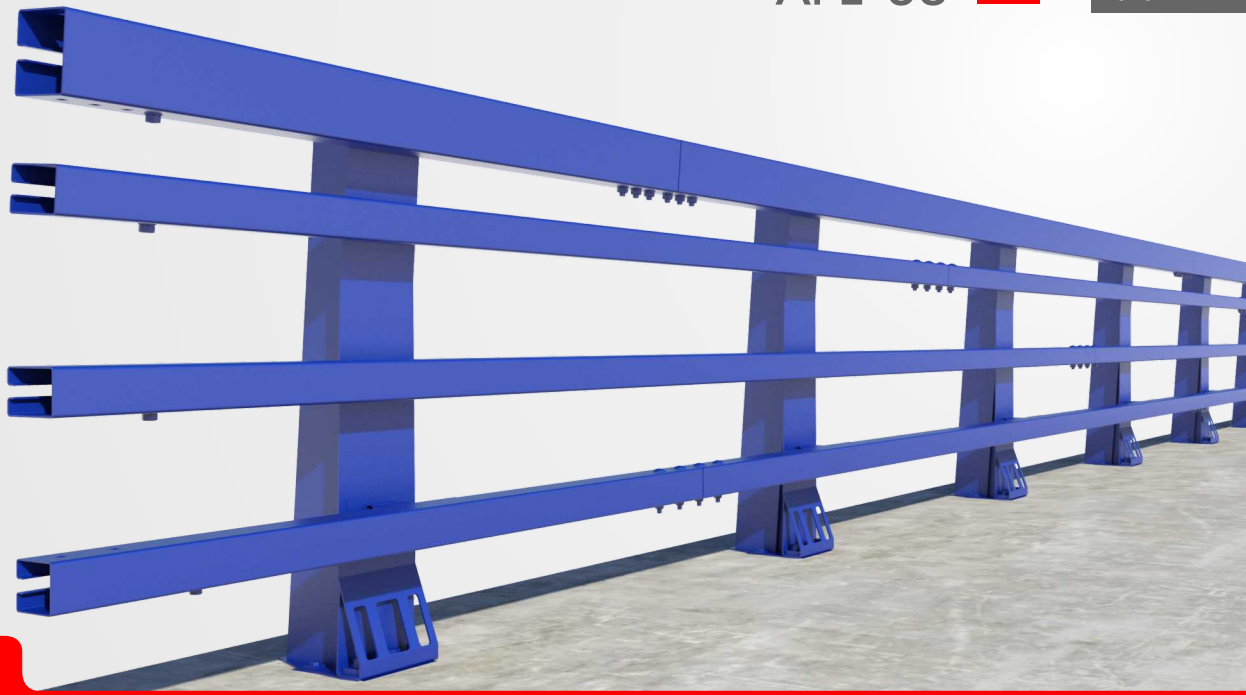


H4b W4 B 0,9<sub>m</sub>

APE-38 





**asebal** 

Vehicle Restraint System

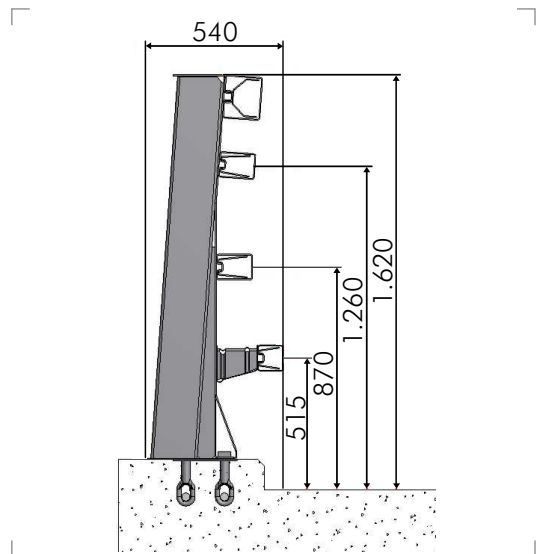
**Definition**

Profile for bridges, viaducts, culverts and retaining walls on the side of the slope. System formed by four horizontal crossbeams, spacer and posts 2.5 metres apart. The system provides terminals and transitions according to the needs.

**Performance parameters**

Containment level	<b>H4b</b>	Working Width (W)	<b>W4</b>	Impact Severity	<b>B</b>	Dynamic Deflection (D)	<b>0,9<sub>m</sub></b>
-------------------	------------	-------------------	-----------	-----------------	----------	------------------------	------------------------

**Profile**



H4b

W4

B

0,9m

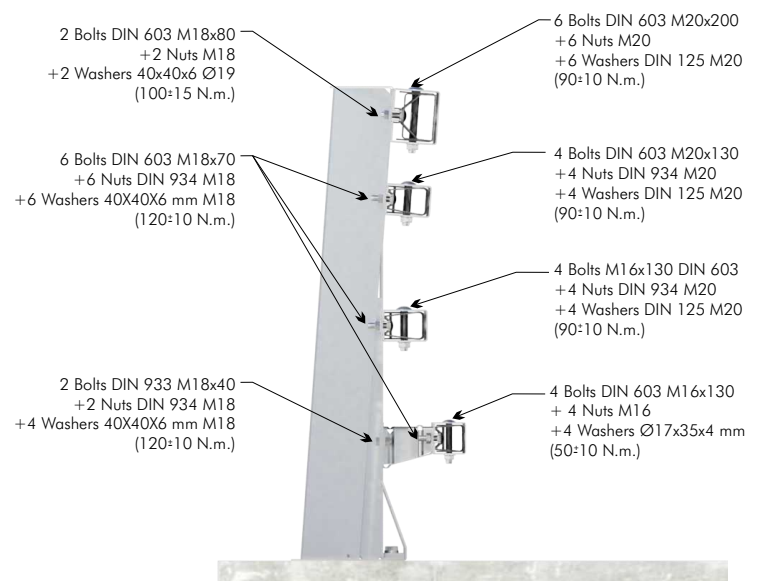
APE-38

**asebal****Vehicle Restraint System****Components for sections of 7.5 m**

Item	Part	Uds
1	Pre-assembled post	3
2	Profile 170x145x4 mm of 7,495 mm	1
3	Profile 140x100x4 mm of 7,495 mm	2
4	Profile 100x100x3 mm of 7,495 mm	1
5	Base plate 285x250x6 mm with eyebolts	3
6	Upper connector	1
7	Connector of 600 mm for profile of 140x100x4 mm	2
8	Connector of 500 mm for profile 100x100x3 mm	1
9	Spacer	3
10	Bolt DIN 603 M20x200	6
11	Bolt DIN 603 M20x130	8
12	Bolt DIN 603 M16x130	4
13	Shear bolt M22x80	12
14	Shear bolt M16x60	6
15	Hexagon head cap bolt DIN 933 M18x40	6
16	Nut DIN 934 M16	6
17	Nut DIN 934 M20	8
18	Nut M16 Tuerca DIN 934 M18	4
19	Nut DIN 934 M18	30
20	Washer DIN 125 M20	14
21	Washer Ø17x35x4 mm	4
22	Washer DIN 7989 M22	12
23	Washer 40x40x6 mm M16	6
24	Washer 40x40x6 mm M18	36
25	Bracket for profile 170x154x4 with welded bolts	3
26	Bracket for profile 100x100x3 with welded bolts	3
27	Bracket for profile 140x100x4 with welded bolts	6

**End terminal + transition components**

Item	Part	Uds
1	End terminal (left/right)	1
2	Straight parapet terminal	2
3	Bolt DIN 603 M16x180	6
4	Washer 70x70x5 mm M16	6
5	Nut M16	6

**Fasteners****Notes:**

- \* Profiles of 4,995 mm and 2,495 mm will be used to fit the length of the sections
- \* The sections must be multiple of 2.5 m