

H1 W4 A 0,7_m

AS-BL1.A  CE



asebal 

Vehicle Restraint System

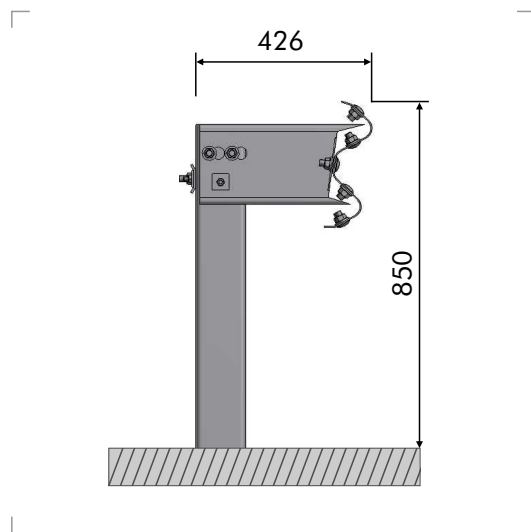
Definition

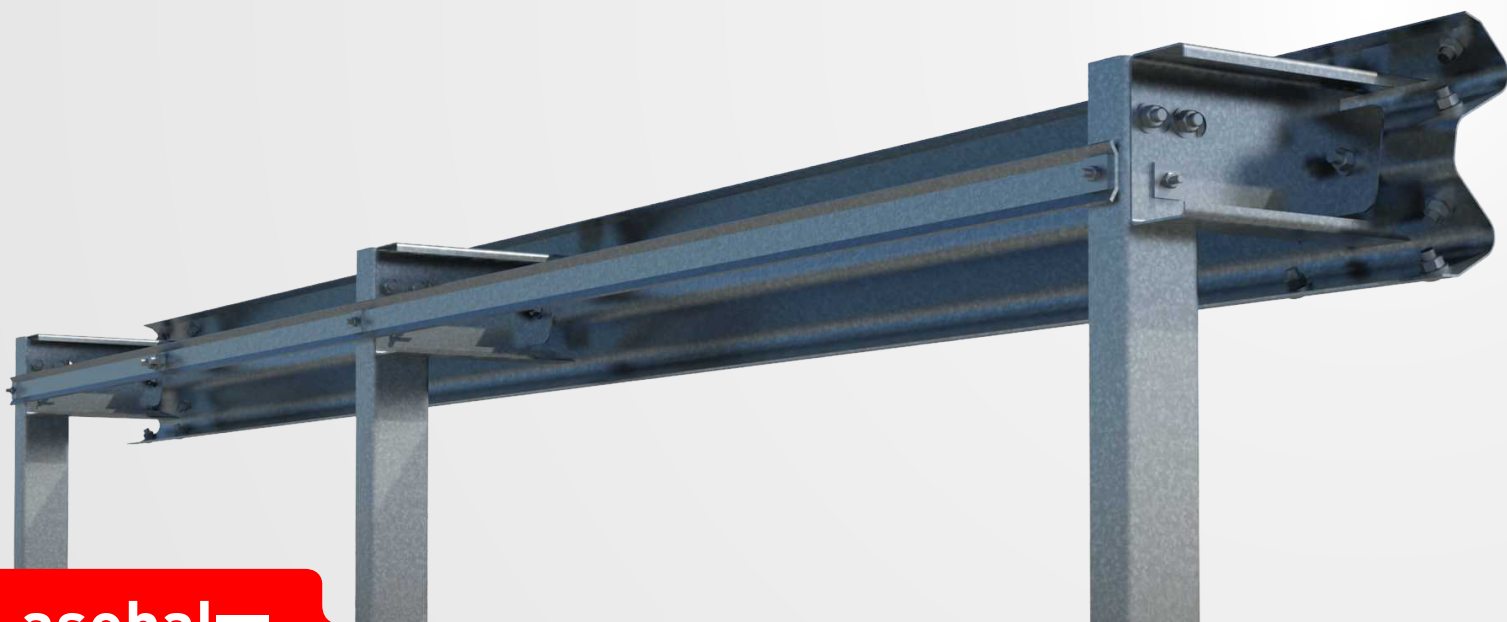
Single metal barrier for lateral side. System formed by a double wave barrier, spacer, brace and U posts 2 metres apart.

Performance parameters

Containment level	H1	Working width (W)	W4	Impact Severity	A	Dynamic Deflection (D)	0,7_m
-------------------	-----------	-------------------	-----------	-----------------	----------	------------------------	------------------------

Profile





asebal 

Vehicle Restraint System

Components for sections of 4 m

Item	Part	Uds
1	Standard barrier of 4 m	1
2	U Post - 120x60x6 mm of 1,800 mm	2
3	Spacer for AS-BL1.A	2
4	Brace of 4,140 mm	1
5	Round head bolt M 16x30, with nut	8
6	Round head bolt M 16x40, with nut	4
7	Hexagon head cap bolt M16x35, with nut	4
8	Hexagon head cap bolt M10x40, with nut	4
9	Washer Ø 17x35x4	16
10	Rectangular washer 100x40x5 mm, mounting hole 30x18 mm	2
11	Square washer 40x40x5 mm	8
12	Reflector	0,5

Note for the beginning and end of the section:
For each section it incorporates a brace of 3,110 mm and another brace of 1,110 mm.

Fasteners

