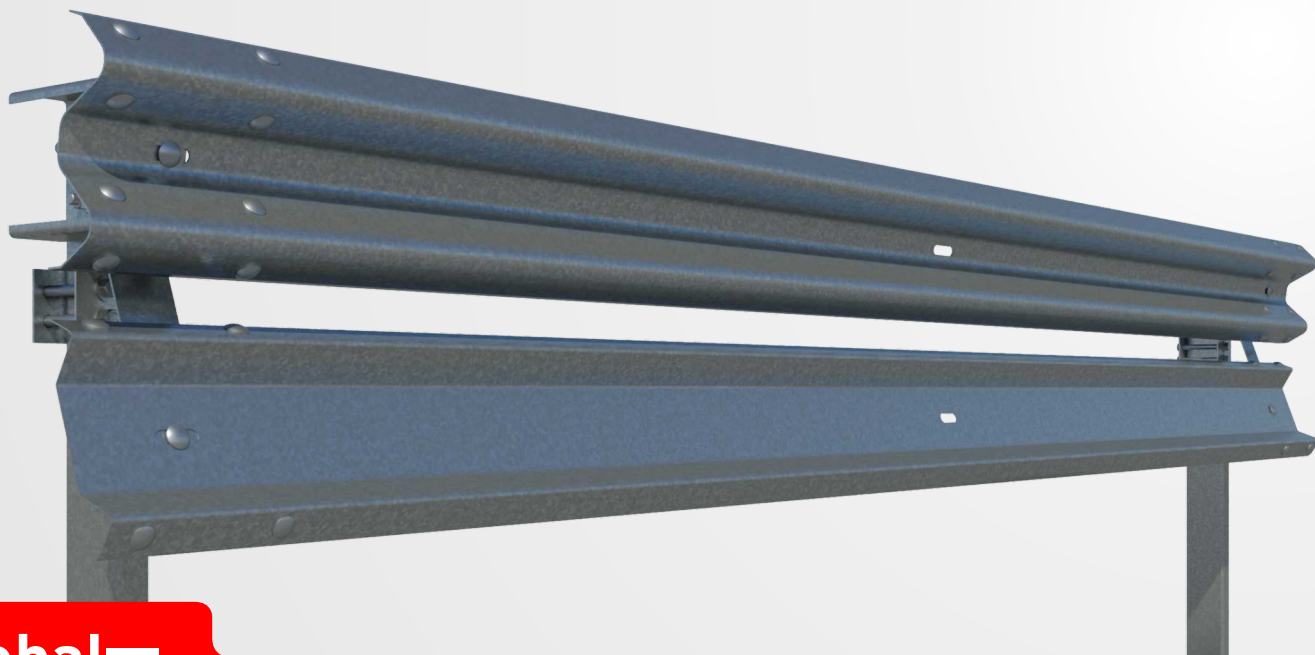


N2	W5	A	1,4m	Severidad I UNE 135900
----	----	---	------	------------------------------

AS-SM6.B (C4) 





**asebal** 

Vehicle Restraint System

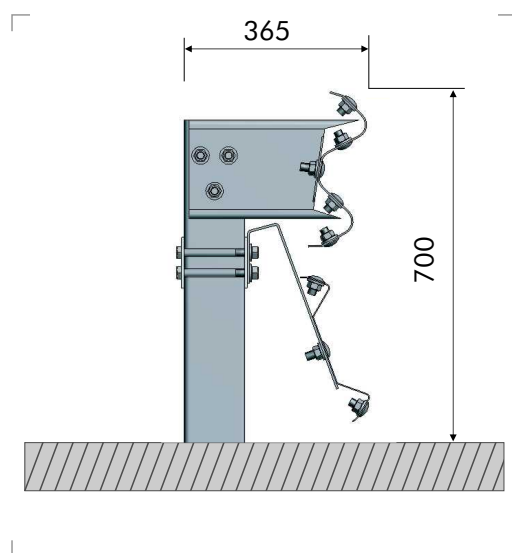
### Definition

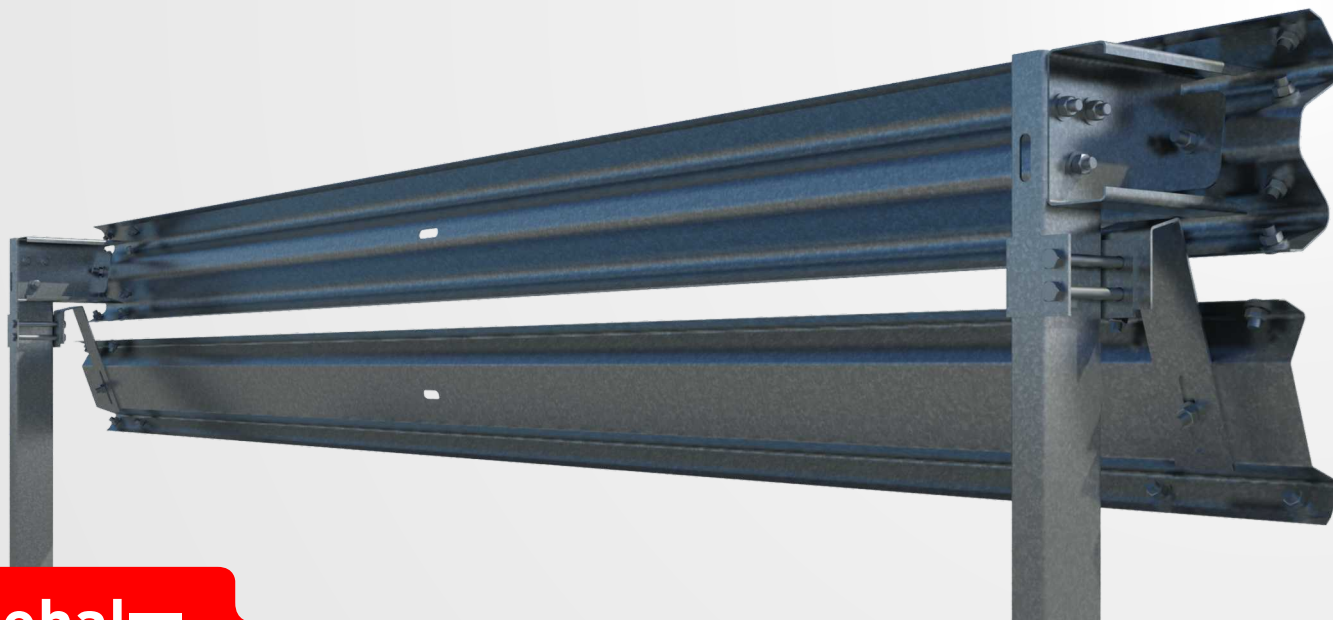
Single metal barrier for lateral side with motorcyclist protection system. System formed by a double wave barrier, spacer, a protective beam for motorcyclists and C posts 4 metres apart.

### Performance parameters

Containment level	<b>N2</b>	Working width (W)	<b>W5</b>	Impact Severity	<b>A</b>	Dynamic Deflection (D)	<b>1,4m</b>
Impact Severity level	<b>I</b>						

### Profile





**asebal**

Vehicle Restraint System

### Components for sections of 4 m

Item	Part	Uds
1	Standard barrier of 4 m	1
2	C post-120 of 1,500 mm	1
3	Standard spacer	1
4	Protective beam for motorists, of 4 m	1
5	Anchorage	1
6	U support	1
7	Round head bolt M16x30, with nut	12
8	Round head bolt M16x40, with nut	2
9	Hexagon head cap bolt M16x35, with nut	3
10	Hexagon head cap bolt M16x150, with nut	2
11	Washer Ø17x35x4 mm	19
12	Reflector	0,5

### Fasteners

